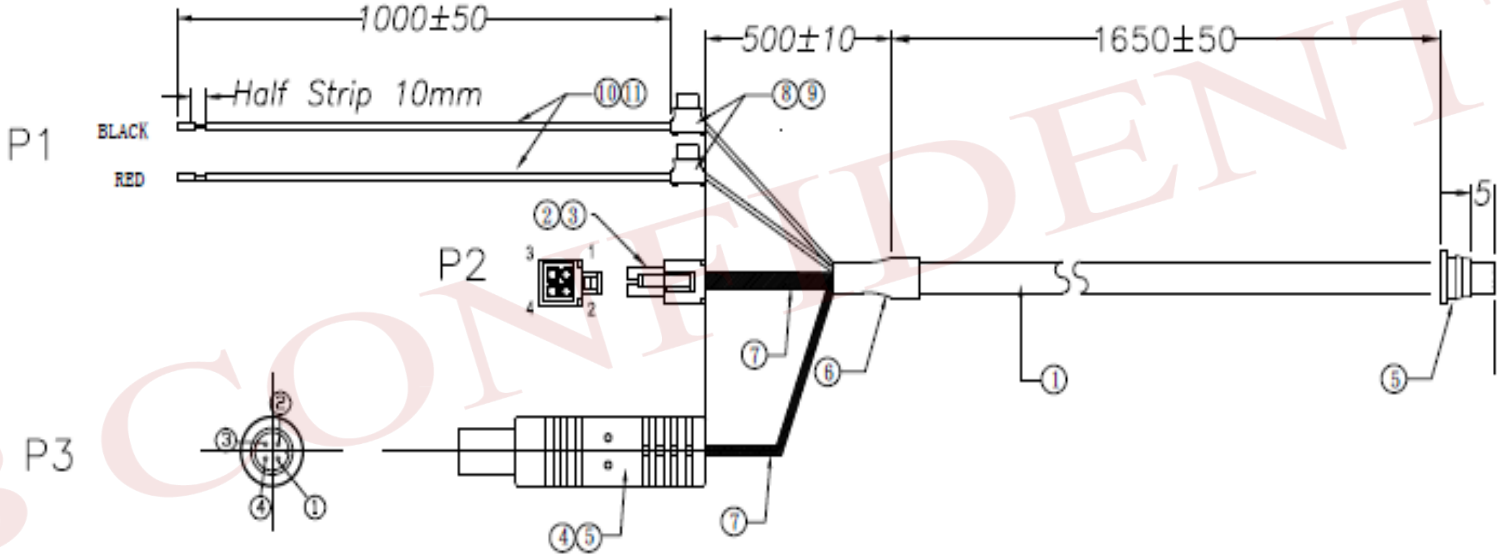


CTM1 Truck TPMS kit

Receiver Display : Cable Dimension



P2 (RS232 data output) Pin Definition

No	Definition
1	Null
2	GND
3	Tx
4	Rx