
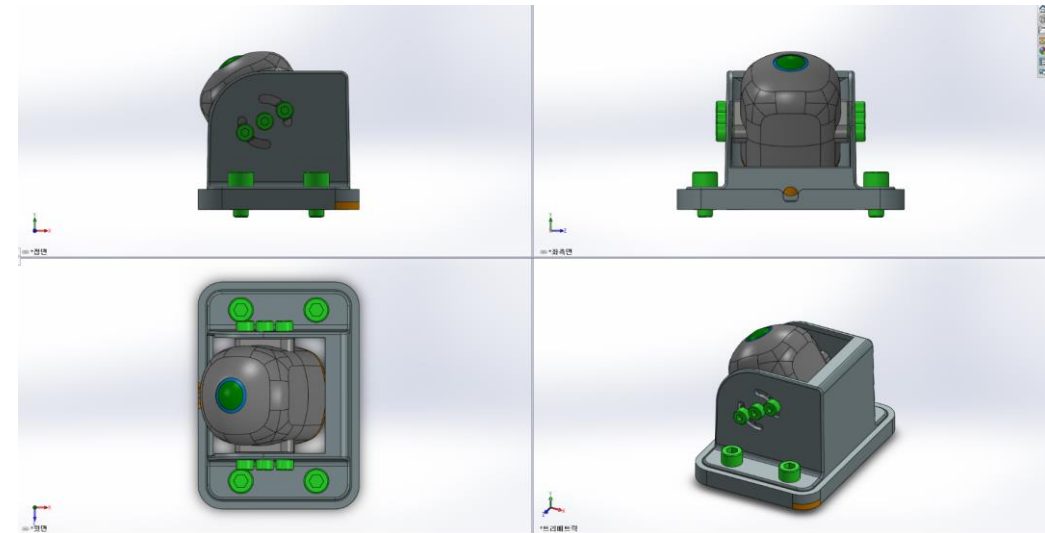
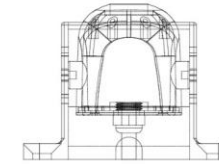
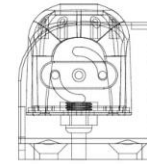
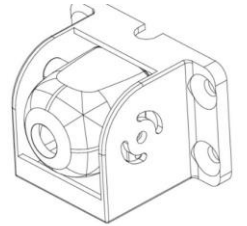
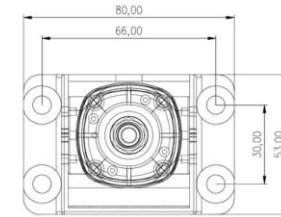
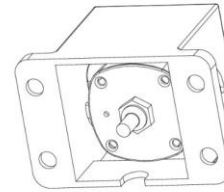


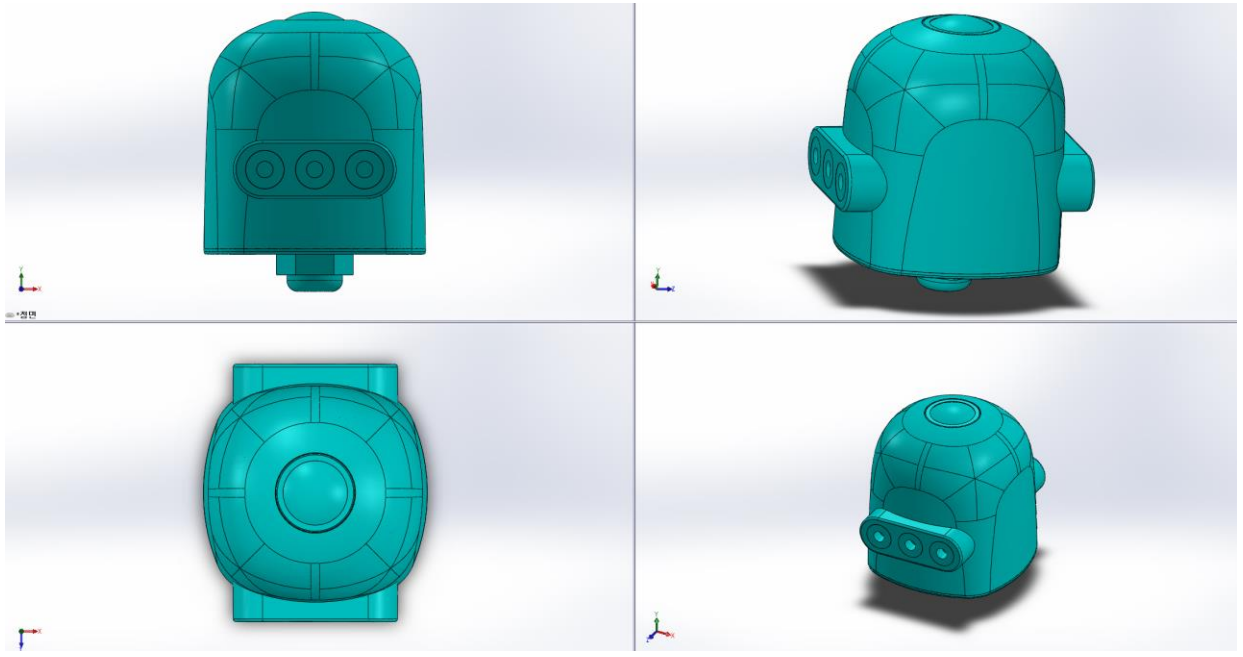
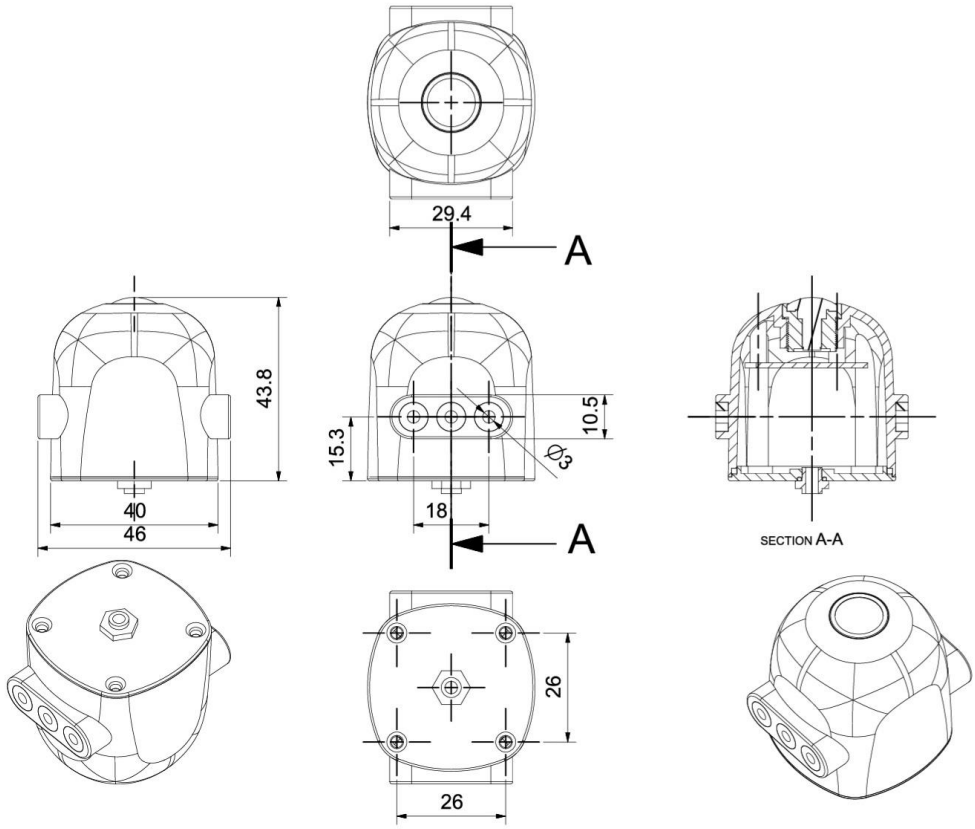
Camera + Bracket 2D/3D

Product Specification: **Camera**

Items	Specification	Remarks
Image Device	1/2.8 Sony CMOS	
Pixel	1920x1080	
Output Signal	AHD 1920x1080, 30fps (CVBS/CVI)	
Output Frame Rate	1080p@25fps/30fps	
Current Consumption	90~330mA (Max. 2.2W/24V)	
Operating Voltage	DC 5~24V	
Lens	6G+IR, Fisheye / Waterproof	
Viewing Angle(Diagonal)	(H)220 ° (V)140 °	
Video Out	1.0 Vp-p, 75 ohm	
S/N Ratio	More than 52 dB	
Operating Temperature	-40 ~ +85 °C	
Storage Temperature	-40 ~ +85 °C	
Min. Illumination	0.01 Lux	
Waterproof	IP69K (to be certified)	
Default Connector	M12, 4pin Connector, Female	
Housing	Aluminium Die cast / (46(W) x 44(H) x 50(L))	




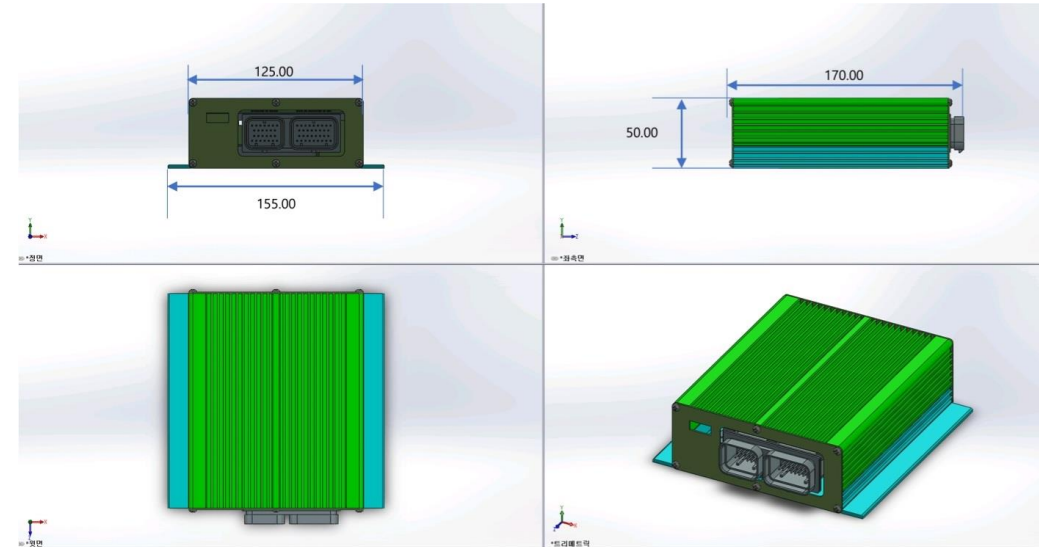
Camera
2D/3D



ECU Case

Product Specification: ECU

Items	Unit	Specification	Remarks
Typical Supply Voltage	V	12V/24V	
Operating Voltage Range	V	11V ~ 36V	
Power Consumption	W	Max 10W (Including cameras)	
Operating Temperature Range	℃	-40 ~ +85℃	
Storage Temperature Range	℃	-40 ~ +85℃	
Size	mm	(W)155 X (H)155 X (D)50	
Case(Material)	-	Aluminum	
Ext. I/F	Video Input	AHD (1080P, 30fps, 4ch-8ch)	
	Video Output	Resolution 1080P 30fps(AHD & 1 HDMI)	
	Trigger	High Beam LED Rear LED Left LED Right LED	
	UART	1ch	
	USB	2ch	
	Ext. Memory	mini SD Card	
	IR remote controller	10 Button	
View Mode/SW	-	Flexible view mode	
Calibration	-	Semi-Auto/Full-Auto Calibration	



Product Specification: **Monitor**

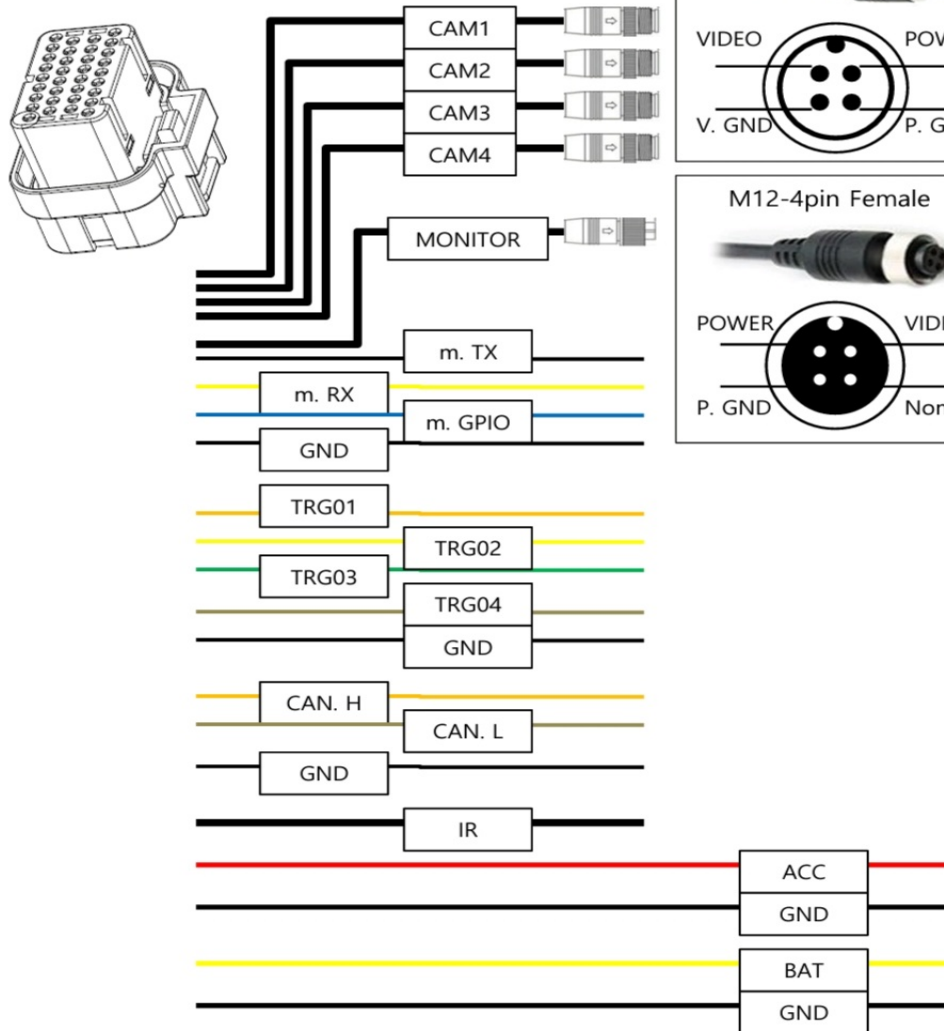
10.1 inch Around View Monitor for Application System

Function	Description	Remark
Display Size_inch	10.1 inch (Model Name : VINARI) / (Model NO. ICL101N00)	IPS Panel
Resolution	1280(W) x RGB x 800(H) Pixels	ET101006DMA
Luminance	450 cd / m ²	
Color	16.7M	
Video Input_ HDMI	720P_Up to 1080P	
Video Interface / Display Interface	HDMI 1.4	
Video Output	1080P / 30F	
Day & Night Dimmer	CDS Sensor	
Dimension	270(W) x 174(H) x 26(D)mm	
Certification	KC Certification (Cer. NO = R-R-eLD-ICL101N00)	
Waterproof	IP54	
Power Input	DC 12V (12V 0.7A 8.4W / DC 24V 0.35A)	
Operation Temperature (* LCD Panel)	-20℃ ~+70℃	-30℃ : Will be 48hrs MAX +80℃ : Will be 48hrs MAX
Storage Temperature (* LCD Panel)	-30℃ ~+80℃	
Weight		
Drawing		



H/N Cable spec-34pin

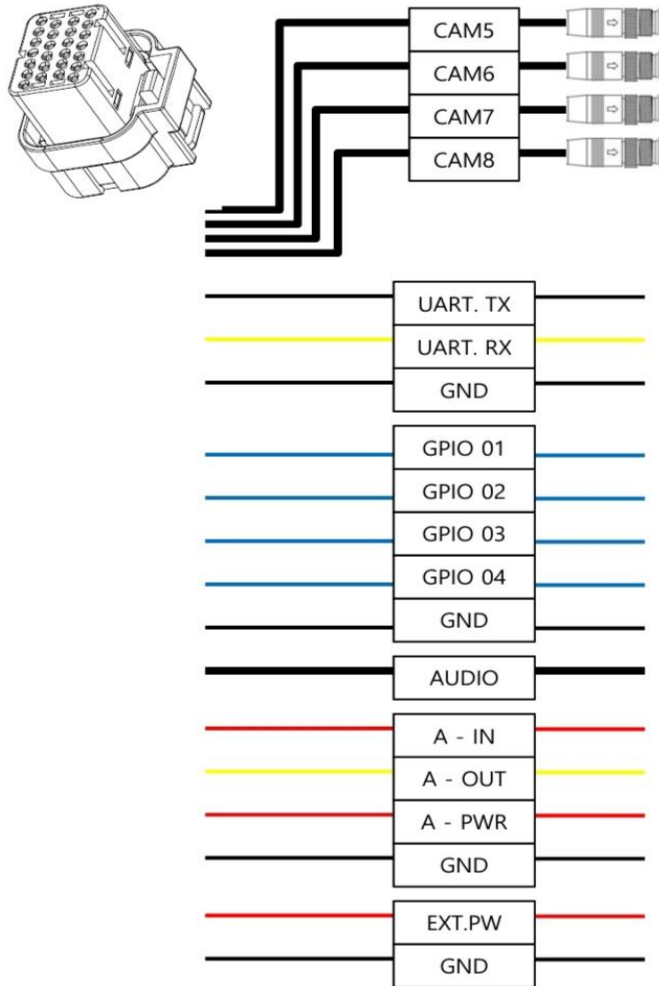
AHT134 : 34 pin wire harness (AMP female Connector No. 4-1437290-0)



No	Description	Pin no.	Wire		Connector Jack
			Wire Color	Length	
1	VIN_CAM1	A1			
2	PowerS for Cam1	A2	black	30cm	12M, 4pin Male
3	Ground 11	A10			
4	VIN_CAM2	A11	black	30cm	12M, 4pin Male
5	PowerS for Cam2	A3			
6	Ground 12	A12	black	30cm	12M, 4pin Male
7	VIN_CAM3	A4			
8	PowerS for Cam3	A5	black	30cm	12M, 4pin Male
9	Ground 13	A13			
10	VIN_CAM4	A14	black	30cm	12M, 4pin Male
11	PowerS for Cam4	A6			
12	Ground 14	A15			
13	Trigger 1	A7	pink	30cm	None
14	Trigger 2	A8	yellow	30cm	None
15	Trigger 3	A17	green	30cm	None
16	Trigger 4	A9	brown	30cm	None
17	Ground 15	A16	black	30cm	None
19	PowerS to Monitor	A27	black	30cm	12M, 4pin Female
20	Ground 21	A19			
21	VAHD	A26			
18	GPIO_MON	A18	blue	30cm	None
22	UART1_RX	A20	yellow	30cm	None
23	UART1_TX	A28	white	30cm	None
24	IR Signal In	A30	black	30cm	3 pin connector
25	Power for IR	A29			
26	Ground 22	A21			
27	Ground 23	A22	black	30cm	None
28	CAN_High	A31	pink	30cm	None
29	CAN_Low	A32	brown	30cm	
30	Ground 24	A23	black	30cm	
31	PS from ACC	A33	red	100cm	AWG18
32	Ground 25	A24	black	100cm	AWG18
33	PowerS_Battery	A34	yellow	100cm	AWG18
34	Ground 26	A25	black	100cm	AWG18

H/N Cable spec-26pin

AHT126 : 26 pin wire harness (AMP female Connector No. 3-1437290-7)



No	Description	Pin no.	Wire		Connector Jack
			Color Outer	Length	
1	VIN_CAM5	B1	black	30cm	12M, 4pin Male
2	PowerS for Cam5	B2			
3	Ground 36	B8			
4	VIN_CAM6	B9	black	30cm	12M, 4pin Male
5	PowerS for Cam6	B3			
6	Ground 37	B10	black	30cm	12M, 4pin Male
7	VIN_CAM7	B4			
8	PowerS for Cam7	B5			
9	Ground 38	B11	black	30cm	12M, 4pin Male
10	VIN_CAM8	B12			
11	PowerS for Cam8	B6			
12	Ground 39	B13	yellow	30cm	None
13	UART2_RX	B21			
14	UART2_TX	B20	white	30cm	None
15	Ground 47	B14	black	30cm	None
16	GPIO 1	B22	blue	30cm	None
17	GPIO 2	B16	blue	30cm	None
18	GPIO 3	B23	blue	30cm	None
19	GPIO 4	B17	blue	30cm	None
20	Ground 48	B15	black	30cm	None
21	Audio_In	B25	red	30cm	None
22	Ground 49	B18	black		
23	PowerS_Audio	B24	red	30cm	None
24	Audio Out	B26	yellow		
25	PowerS for Extra	B7	red	30cm	None
26	Ground 50	B19	black	30cm	None

H/W Block Diagram

UQSVM_V5X Block Diagram

